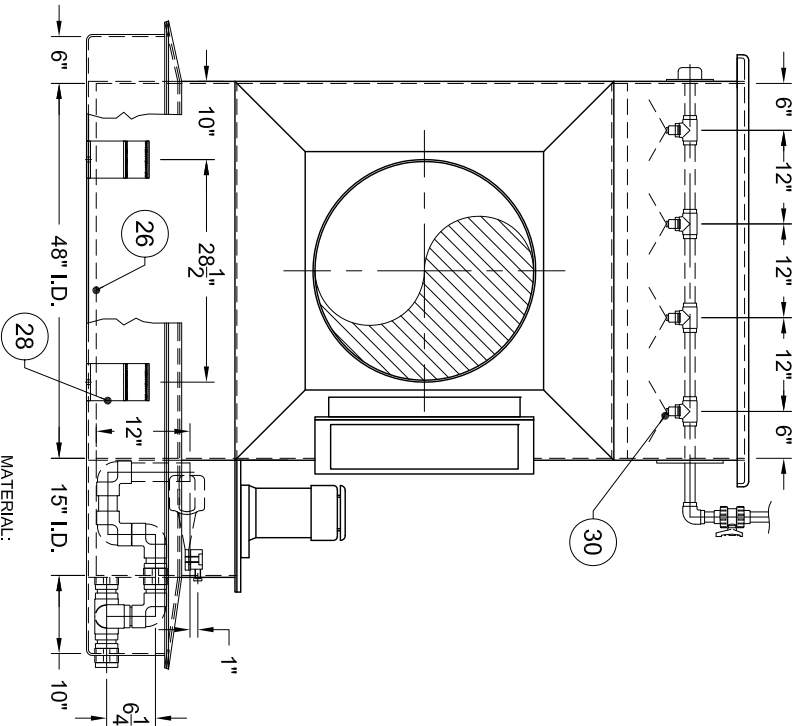
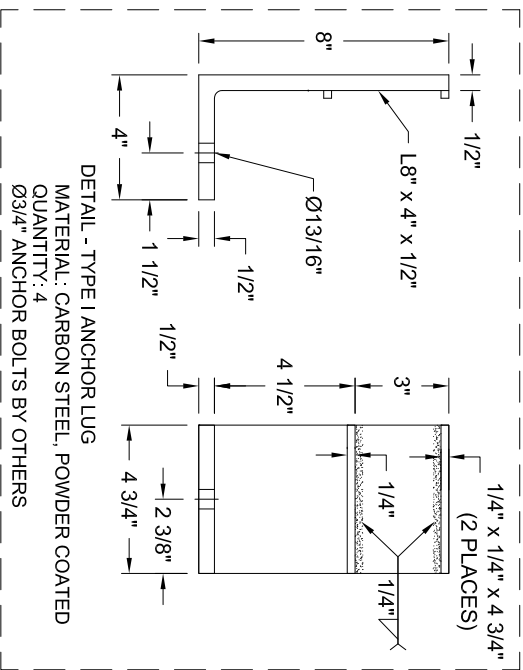
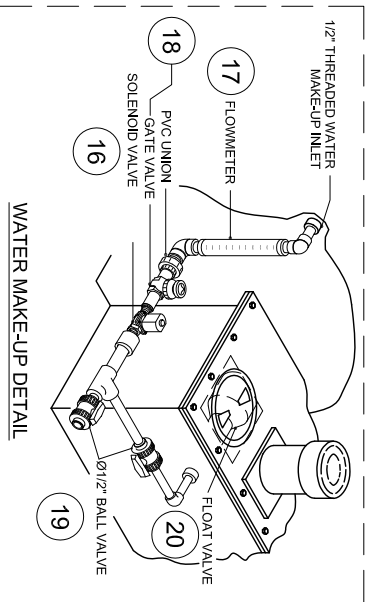
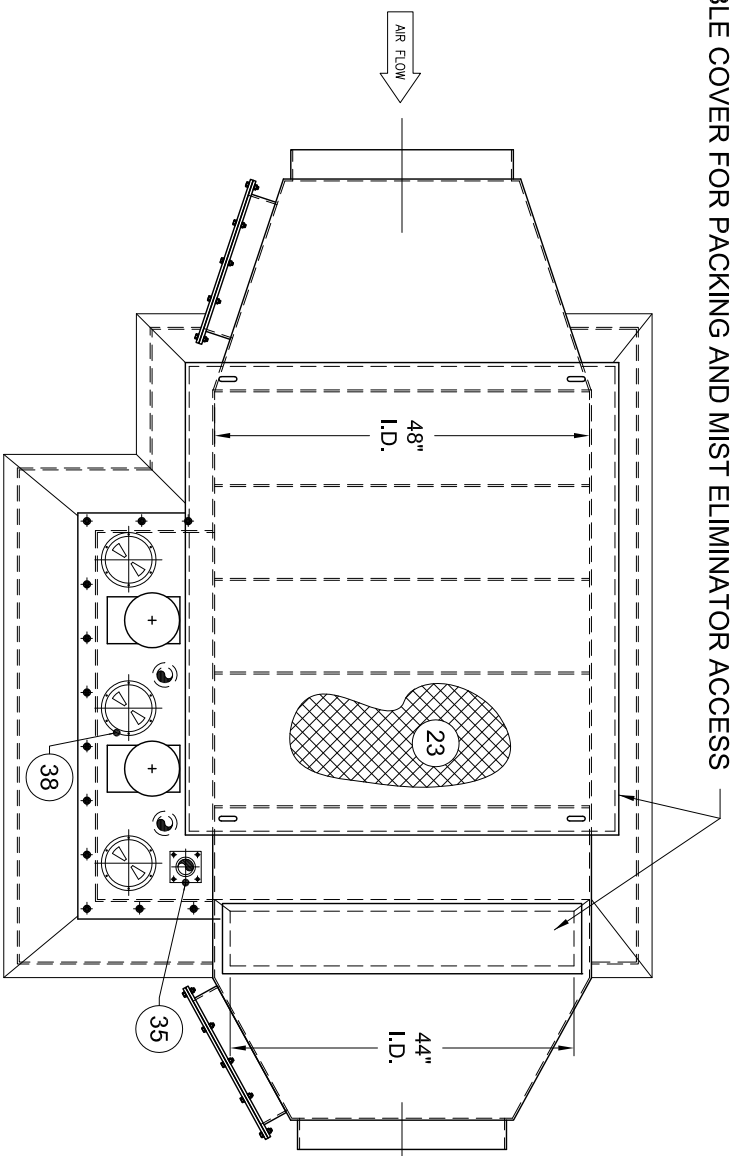
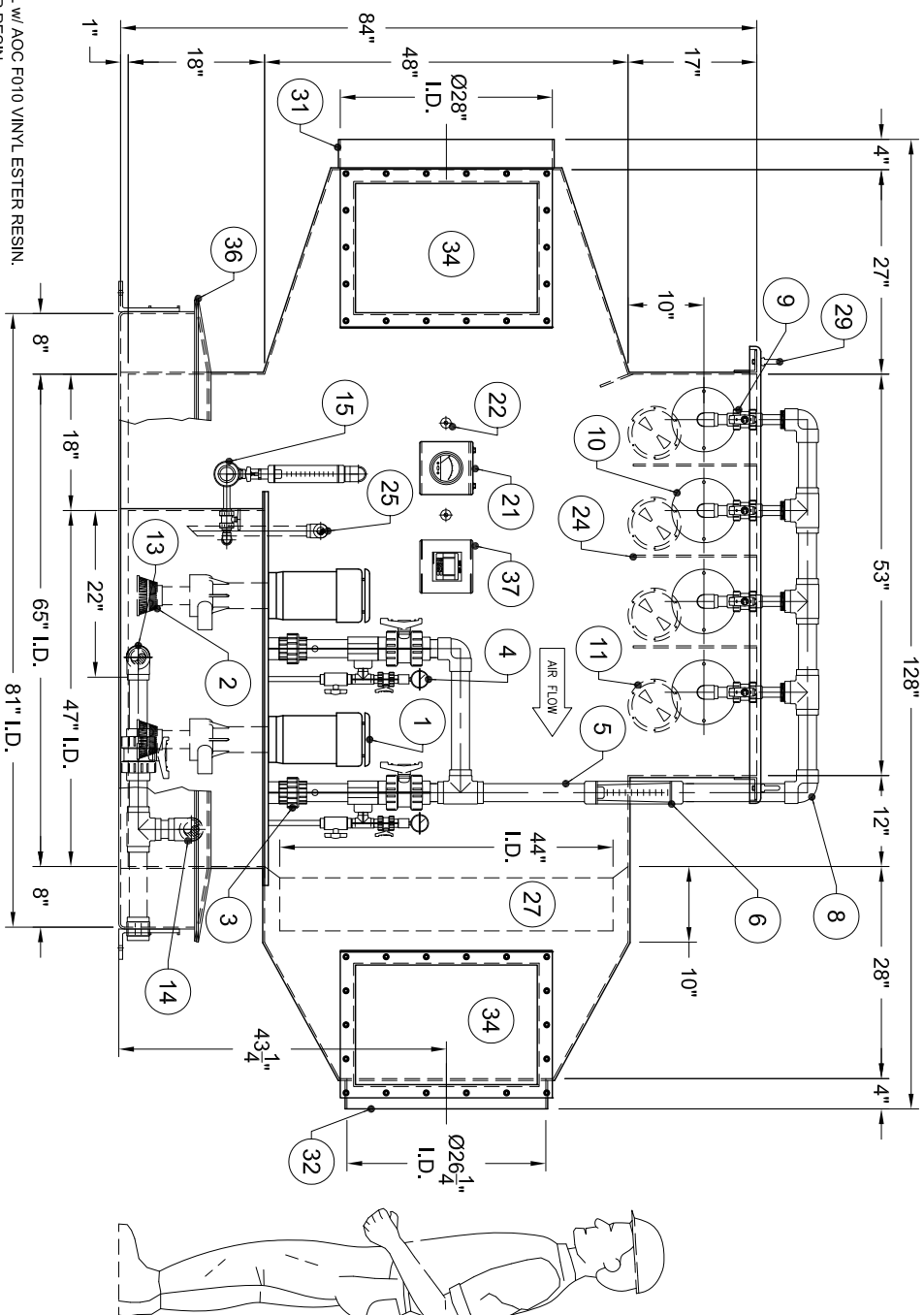


REMOVABLE COVER FOR PACKING AND MIST ELIMINATOR ACCESS



MATERIAL:
CORROSION LINER: "NEXUS" VEIL w/ AOC F010 VINYL ESTER RESIN.
INTERIOR: AOC F010 VINYL ESTER RESIN.
EXTERIOR: AOC K022 VINYL ESTER RESIN w/1.5% ANTIMONY TRIOXIDE.
TAN GEL COAT WITH UV INHIBITOR.
WALL THICKNESS: 1/4"



THIS DRAWING IN DESIGN AND DETAIL IS THE PROPERTY OF HEE ENVIRONMENTAL ENGINEERING, LLC. (HEE). ALL RIGHTS OF HEE, L.L.C. AND MUST NOT BE REPRODUCED OR TRANSMITTED IN ANY FORM OR BY ANY MEANS, ELECTRONIC OR MECHANICAL, INCLUDING PHOTOCOPYING, RECORDING, OR BY ANY INFORMATION STORAGE AND RETRIEVAL SYSTEM, WITHOUT THE WRITTEN PERMISSION OF HEE, L.L.C. DESIGN OR INVENTION ARE RESERVED. UNAUTHORIZED DISCLOSURE OR USE IS PROHIBITED BY LAW.

MADE IN THE USA

ITEM	DESCRIPTION	QTY
1	PUMP:	2
2	PUMP INLET FILTER: 2" P.E.	2
3	CHECK VALVE: 02" TECHNO. PVC	2
4	PRESSURE GAUGE:	2
5	DISCHARGE LINE: 02" SCH 80 PVC	1
6	INLINE FLOWMETER:	1
7	-	-
8	HEADER: 2" SCH 80 PVC	1
9	BALL VALVE: 01" TYPE 1, PVC	4
10	PLUMBING MOUNTING PORTS: 08 1/2" CPVC	4
11	SPRAY VIEWING PORTS: 06" POLYPRO	4
12	-	-
13	DRAIN: 02" MNPT, HALF-COUPLING, FRP, W/ VALVE	1
14	OVERFLOW: 02" MNPT, FULL-COUPLING, FRP	1
15	INLET WATER MAKE-UP: 01/2"	1
16	SOLENOID VALVE:	1
17	INLET WATER FLOWMETER:	1
18	GATE VALVE: 01/2", SCH 80, PVC	1
19	BALL VALVE: 01/2", FIP, PPL	2
20	FLOAT VALVE: 01/2" FIP, PPL	1
21	MAGNETIC GAUGE:	1
22	SP PORTS: 01/2" FIP, FRP	2
23	PACKING:	4
24	PACKING BAFFLE PLATE	4
25	CHEM FEED: 01" FIP, FULL-CPLG, PVDF	1
26	REINFORCED SCRUBBER BOTTOM: 1" THK.	1
27	MIST ELIMINATOR:	1
28	ANCHOR LUGS: TYPE I, CARBON STEEL, POWDER COATED	4
29	LIFTING LUGS: 3" C.S. POWDER COATED ANGLE W/ EYE BOLTS	-
30	SPRAY NOZZLES:	16
31	INLET: 028" I.D., PLAIN END	1
32	OUTLET: 026 1/4" I.D., MATCH TO HPCA 2450 FAN INLET	1
33	-	-
34	ACCESS DOORS: 24" x 18" I.D., FRP, BOLTED	2
35	pH ELECTRODE:	1
36	CONTAINMENT LEVEL SWITCH:	1
37	CONTROLLER:	1
38	SUMP ACCESS PORTS: 06" POLYPRO	3

**ENVIRONMENTAL
ENGINEERING**

2143 CONVENTION CENTER WAY, SUITE 180, ONTARIO, CALIFORNIA 91764
PHONE: (909) 230-6120 FAX: (909) 230-6159
www.hee-llc.com

ECH 44-4 XB

ENG:	SALES:	P.O.#:	DATE:
	MD	003HC904	05/09/11

S.O.#: 11089	DRAWN BY:	DRAWING NUMBER	
SCALE: 3/4" = 1'-0"		H11018-02	2/4

HEE APPROVED	CFM: 10,000 ACFM	△ PRESSURE: 1.5"	VEL: 625 FPM
ENG:	DATE:	SERIAL NO.: S-050911-1	OPERATING WEIGHT: 3,588 LBS
SALES:	DATE:	TAG NO.: --	DRY WT.: 1,899 LBS
			QTY. REQ'D.: 1